

The **A-1140D Dual Band In-Wall Infrared Receiver** receives IR signals from a handheld IR remote control and relays this to the audio/video equipment for operation from another room. Mounts to a single gang standard electrical box using a decorate cover plate.

FEATURES

1. Stylish decorate design. Available in white colors.
2. Dual color LED. Green for system status and blue for talk back .
3. Ultra thin design. Mounts easily in any J-box or P-ring.
4. Wide band IR receives IR from many types of remotes.

SPECIFICATIONS

Receive Frequency Range: 34 kHz to 60 kHz

Transmit Frequencies: 38 KHz & 56 KHz

Range: 40ft. @ 38 KHz

25ft. @ 56 KHz

Power: 12VDC, 30mA max.

Status Power: 12VDC, 3mA max.

Wire requirements: 2 twisted pair, with or without shield

INSTALLATION

Connect the A-1140D to the A-1139 connecting block using 2 twisted pair wire. Use one pair to connect GND (GROUND) and IR (SIGNAL). Use the other pair to connect ST (STATUS) and V+ (+12VDC). If the wire has a shield, connect it to the ground at both ends. See Figure 1 for detail of these connections.

STATUS INDICATOR

To use the status indicator on the A-1140D connect the 12 Volt 100mA or higher power supply to the STATUS line of the A-1139 connecting block as shown in Figure 2. Plug the power supply into the switched outlet on the stereo receiver. When the receiver is on, the power supply will turn on the system status line and illuminate the LED green of the A-1140D.

MOUNTING

Mount the A-1140D to the standard electrical box using the screws that are supplied. Mount cover plate to the IR receiver. See Figure 3.

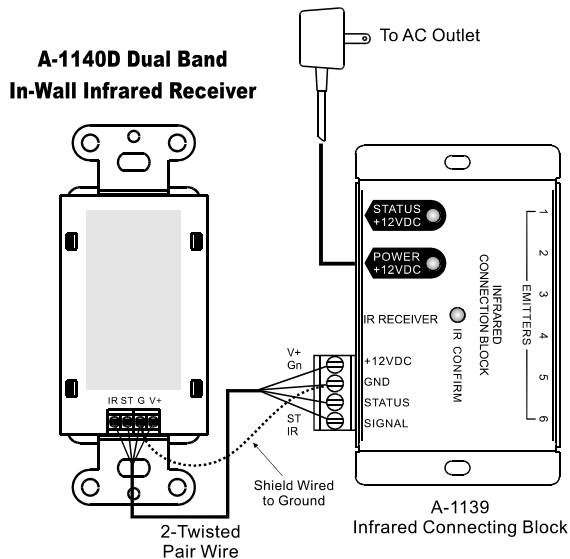


Figure 1

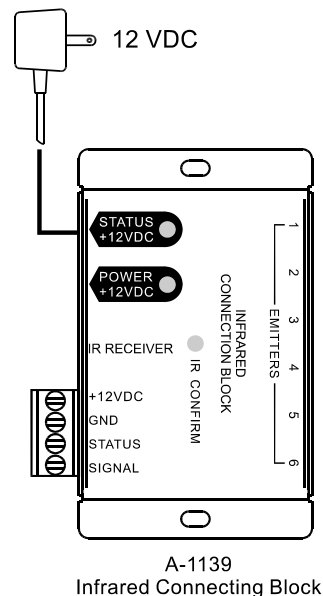


Figure 2

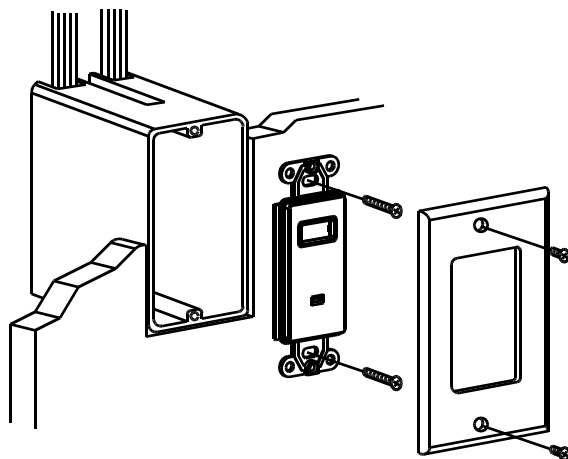


Figure 3